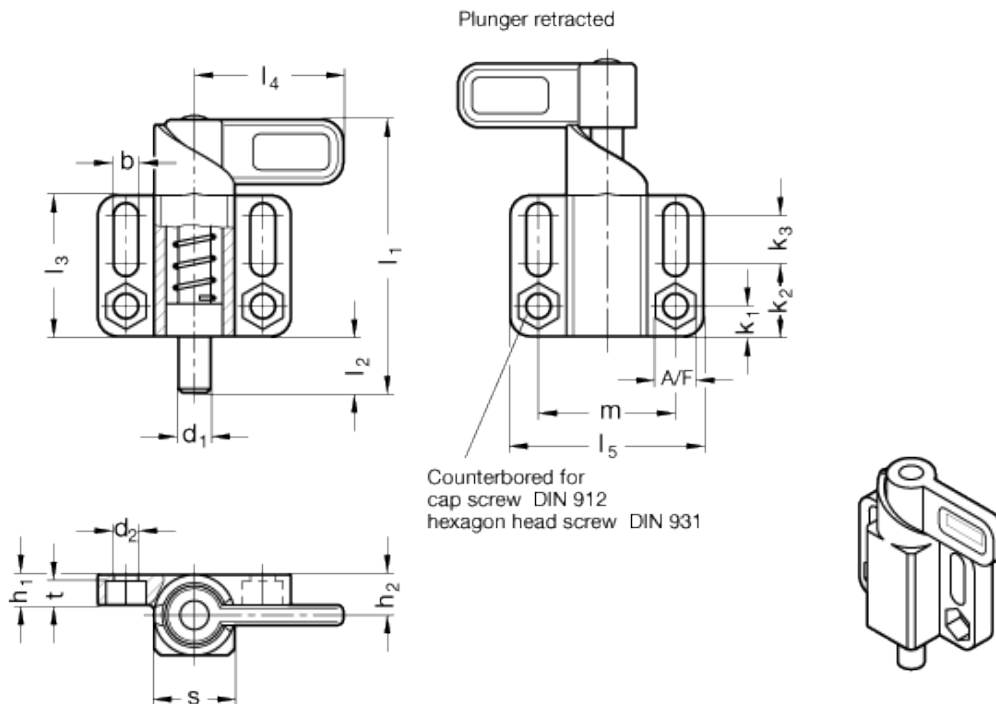


GN 722.3

Lever indexing plungers
with rest position



technical informations

Guide

Steel precision cast.

- Version ZB: zinc plated, blue passivated.

- Version SW: zinc plated, epoxy resin coating, RAL 9005 black matte finish.

Latch

Steel precision cast, zinc plated, blue passivated.

Plunger

Steel, zinc plated, blue passivated. Suggested matching hole with tolerance +0.1/+0.3.

Standard versions available

- Type L: indexing curve on the left side.
- Type R: indexing curve on the right side.

Features and applications

Spring latches GN 722.3 are used when the indexing pin is temporarily not allowed to protrude. The indexing pin retracts by turning the latch by 180°.

A lock notch will hold the latch in both positions.

Spring latches GN 722.3 are designed for use in steel construction or in locksmith shops where less precise positioning / locking is normally required. The dimensional tolerances are therefore chosen to ensure that functional safety is guaranteed under dirt exposure and that cost-effective production methods are used.

Standard Elements	Main dimensions																		Spring pressure in N \approx		Weig g
	Description	d ₁ -0.05/-0.25	s	b +0.3	d ₂ +0.2	h ₁	h ₂	k ₁	k ₂	k ₃	l ₁ \approx	l ₂	l ₃	l ₄	l ₅	m	A/F	t	Preload	Max. load	
GN 722.3-8-20-L-SW	8	20	6.1	6.1	7.5	10	7.5	18	12	68	14	35	37	48	34	10	6.1	16	55	178	
GN 722.3-8-20-L-ZB	8	20	6.1	6.1	7.5	10	7.5	18	12	68	14	35	37	48	34	10	6.1	16	55	178	
GN 722.3-8-20-R-SW	8	20	6.1	6.1	7.5	10	7.5	18	12	68	14	35	37	48	34	10	6.1	16	55	178	
GN 722.3-8-20-R-ZB	8	20	6.1	6.1	7.5	10	7.5	18	12	68	14	35	37	48	34	10	6.1	16	55	178	
GN 722.3-10-20-L-SW	10	20	6.1	6.1	7.5	10	7.5	18	12	68	14	35	37	48	34	10	6.1	16	55	180	
GN 722.3-10-20-L-ZB	10	20	6.1	6.1	7.5	10	7.5	18	12	68	14	35	37	48	34	10	6.1	16	55	180	
GN 722.3-10-20-R-SW	10	20	6.1	6.1	7.5	10	7.5	18	12	68	14	35	37	48	34	10	6.1	16	55	180	
GN 722.3-10-20-R-ZB	10	20	6.1	6.1	7.5	10	7.5	18	12	68	14	35	37	48	34	10	6.1	16	55	180	
GN 722.3-12-20-L-SW	12	20	6.1	6.1	7.5	10	7.5	18	12	68	14	35	37	48	34	10	6.1	16	55	183	
GN 722.3-12-20-L-ZB	12	20	6.1	6.1	7.5	10	7.5	18	12	68	14	35	37	48	34	10	6.1	16	55	183	
GN 722.3-12-20-R-SW	12	20	6.1	6.1	7.5	10	7.5	18	12	68	14	35	37	48	34	10	6.1	16	55	183	
GN 722.3-12-20-R-ZB	12	20	6.1	6.1	7.5	10	7.5	18	12	68	14	35	37	48	34	10	6.1	16	55	183	
GN 722.3-14-20-L-SW	14	20	6.1	6.1	7.5	10	7.5	18	12	68	14	35	37	48	34	10	6.1	16	55	186	
GN 722.3-14-20-L-ZB	14	20	6.1	6.1	7.5	10	7.5	18	12	68	14	35	37	48	34	10	6.1	16	55	186	
GN 722.3-14-20-R-SW	14	20	6.1	6.1	7.5	10	7.5	18	12	68	14	35	37	48	34	10	6.1	16	55	186	
GN 722.3-14-20-R-ZB	14	20	6.1	6.1	7.5	10	7.5	18	12	68	14	35	37	48	34	10	6.1	16	55	186	



STANDARD MACHINE ELEMENTS WORLDWIDE